




Maximize your Frontloader's Versatility with a Residential Carry-Can!



XF510 Front/Side Mount



XF540 Split Body



XF570 Corner Mount

- *Turns any commercial front-loader into a residential collection unit.*
- *Simply disengage the Carry Can for a quick commercial pick-up.*
- *The ideal back-up for your rearload fleet, or use as your standard residential collection method.*
- *Over 3 cubic yard capacity is large enough for bulky items, low enough for easy handloading, and allows the driver plenty of view for safe operation.*
- *12 GA body panels welded inside and out and reinforced by 3" structural channel for a strong, long-lasting can.*

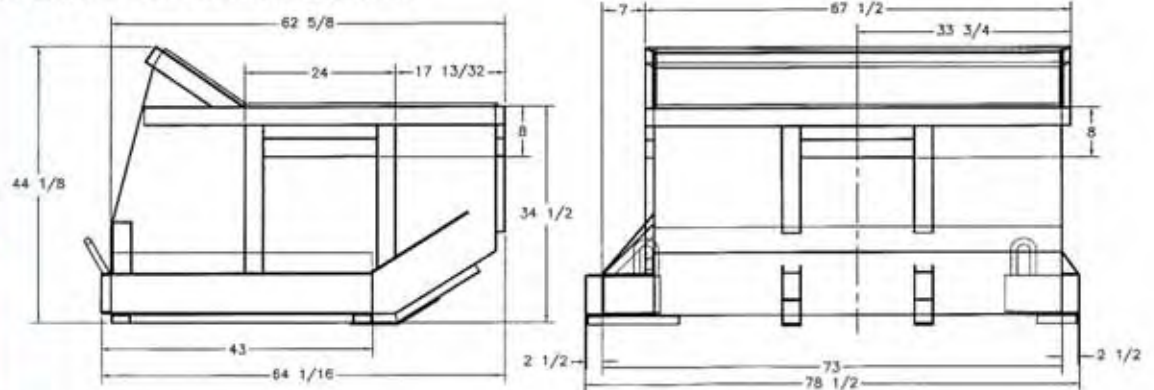
The Perkins Carry Can offers a great deal to the typical waste hauler. Reduce your expenses on extra equipment and manpower when you allow a single truck to lift both front-loading commercial bins and make residential stops on the same route! Shown with (optional) D6071 Compact Lifters for US-style carts, the Carry Cans can make fast work of any route. Got Euro carts or Diamond-type carts? Or drums? Want to lift them all? No problem! You can choose from a wide assortment of quality Perkins lifters that are compatible to your needs. The Carry Can is built tough and supported by a 5-year warranty, so you know you can depend on it day in and day out.

Models XF510, XF540 & XF570



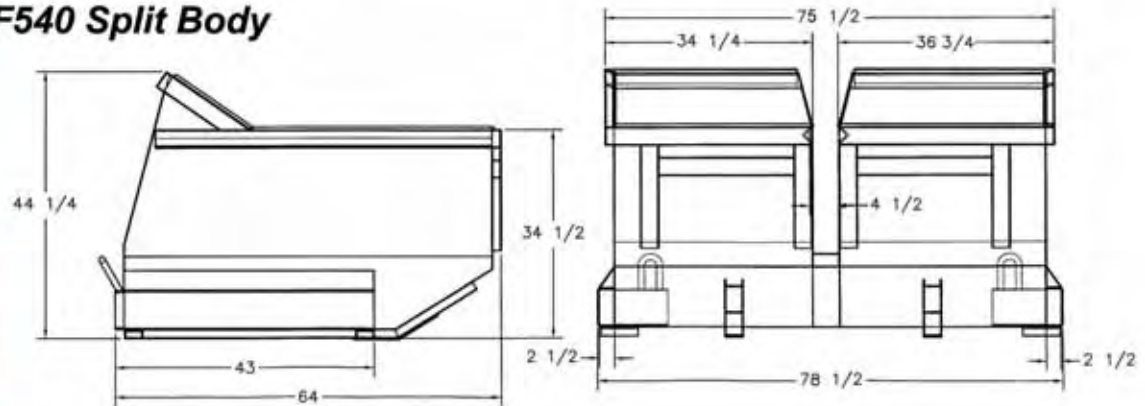
Specifications

XF510 Front/Side Mount



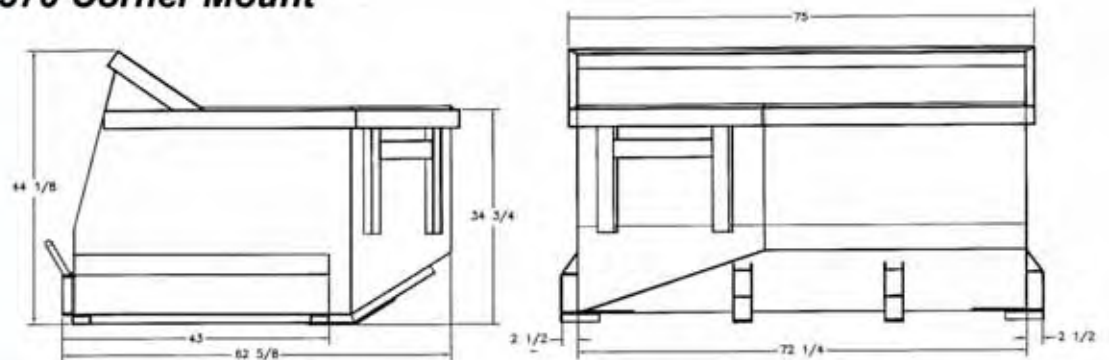
Customized Cans Available

XF540 Split Body



Available with or without Lifters

XF570 Corner Mount



Body Panels: 12 GA HRS

Support: 3" structural Channel

Pockets: 1/4" HRS

Welded Water Tight, Inside & Out

Primer and one top-coat finish

Capacity: Approx. 3 cubic yards

Shipping Weight: 760lbs (Can Only)

5-year Limited Warranty

Specifications subject to change without notice.