

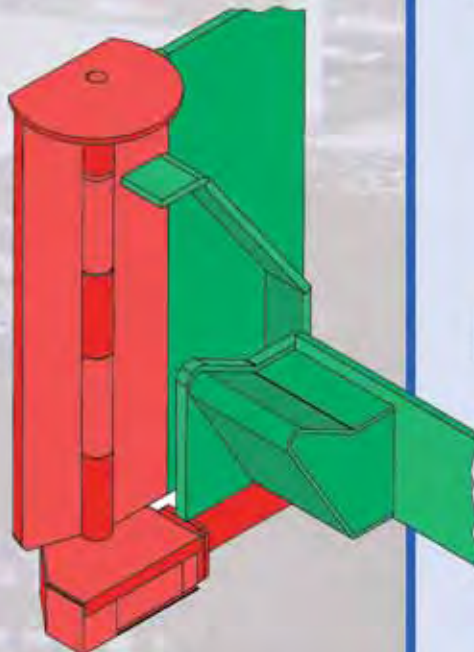
"The Locker"

- *An important safety tool for any commercial rearloader.*
- *Improved productivity - both trunnion locks close from a single hand valve control*
- *Strong enough to pull a misaligned container into the trunnion-lock area*
- *Does not interfere with the operation of the lifters or tipper bar*
- *With optional safety check valve installed, the winch or tipper-bar cannot be used unless "The Locker" is in the closed position*
- *Few moving parts means little or no maintenance*
- *Lightweight design does not add significantly to your tailgate weight*

"The Locker" is a valuable safety device that actually increases productivity

When dumping commercial containers weighing thousands of pounds up overhead of the operator, nothing is more important than a secure grip. **"The Locker"** hydraulically closes both sides of the trunnion locks in one easy pull of the control valve. This saves the operator from having to lock each side independently, which increases productivity and operator safety. With an optional check valve, the winch and tipper bars can be disabled unless **"The Locker"** is closed.

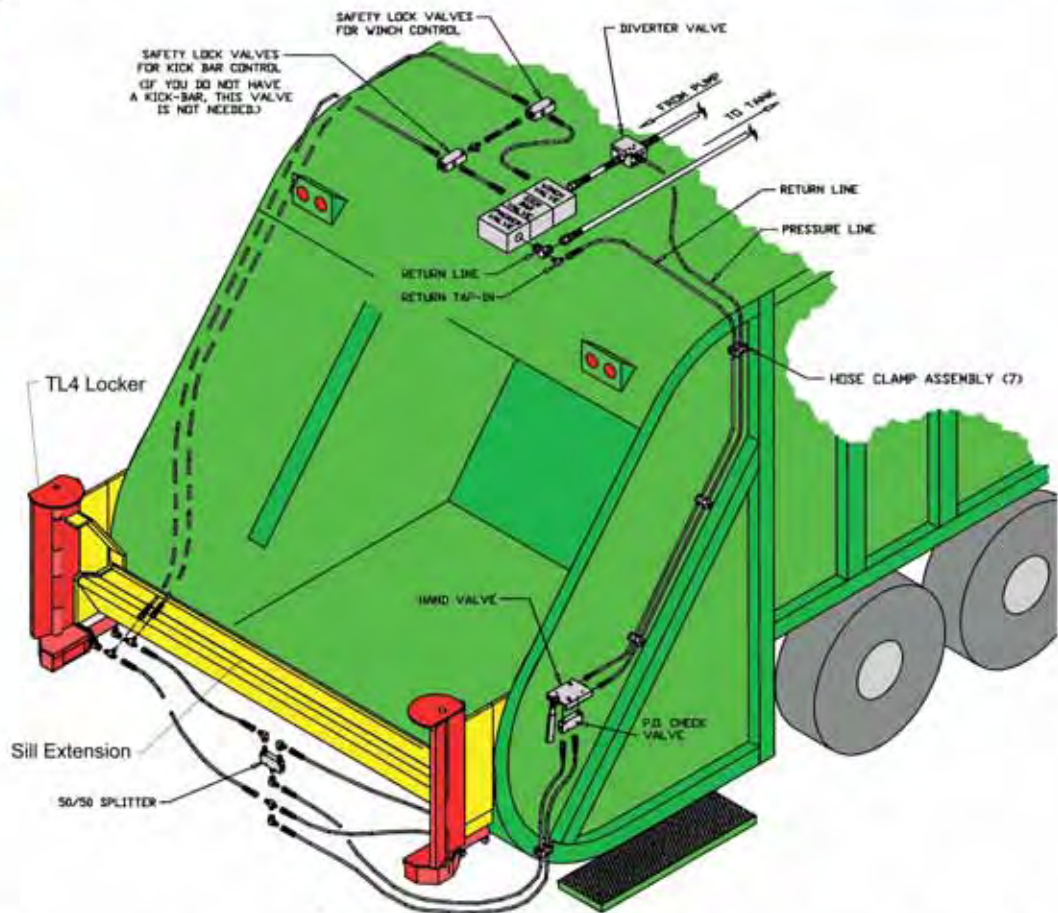
Available in two models, the TL3 is a cylinder-powered trunnion locking mechanism suitable for trucks not equipped with a tipper bar, while the TL4 utilizes a rack and pinion design that is compatible with a tipper bar.



Models TL3 & TL4 Locker Series

S
M
K
R
E
P

Specifications



4-second cycle time @ 4 GPM
secures trunnion quickly and safely

1" High Tensile steel locking plate

1" dia Pivoting Hinge Point

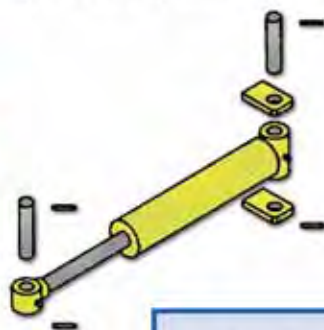
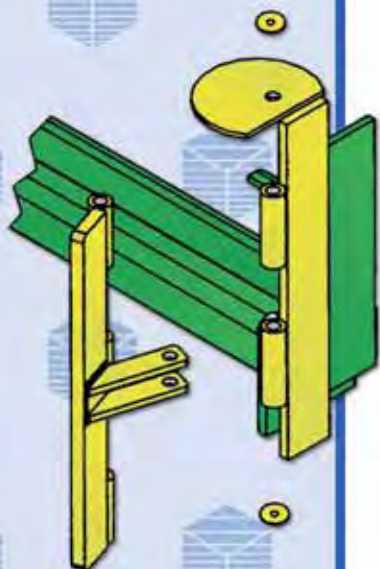
Taps directly into truck hydraulics

Optional Safety Valve disables
tipper bar & winch unless **"The
Locker"** is closed and secure

One hand control valve controls both
sides of trunnion lock system for
fast & convenient operation

Choose from two models, TL4 for
trucks with tipper bars, and TL3 for
trucks without tipper bars.

6-month limited warranty



**Simple Construction
means less maintenance**

Specifications subject to change without notice.